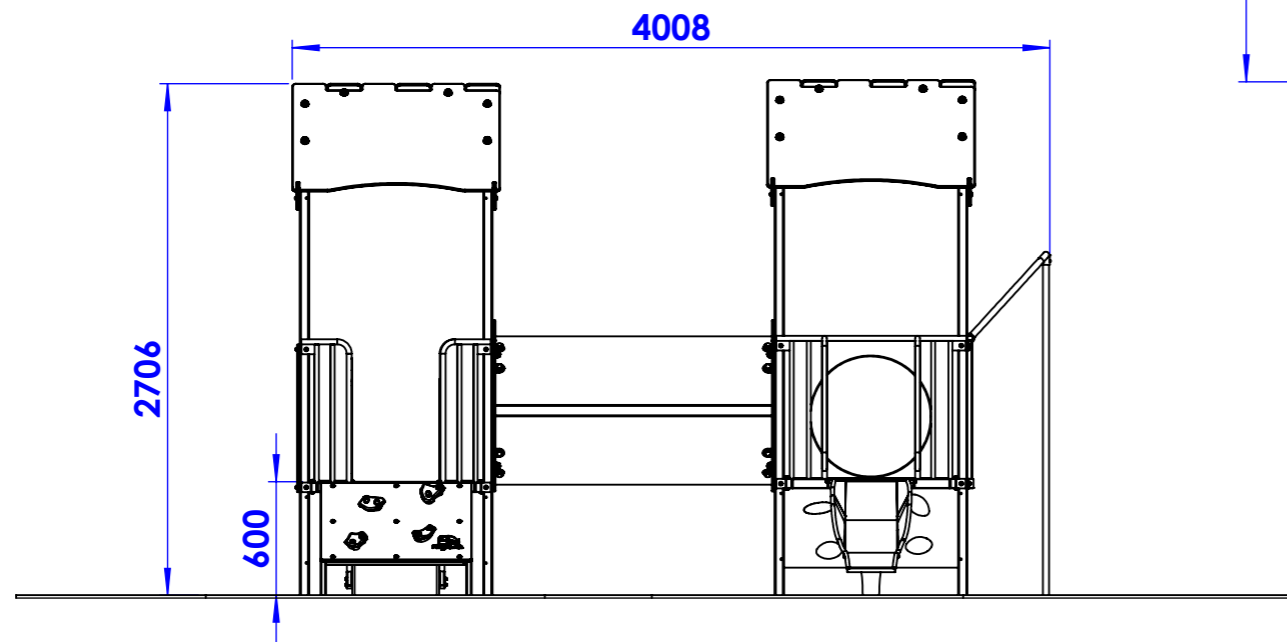
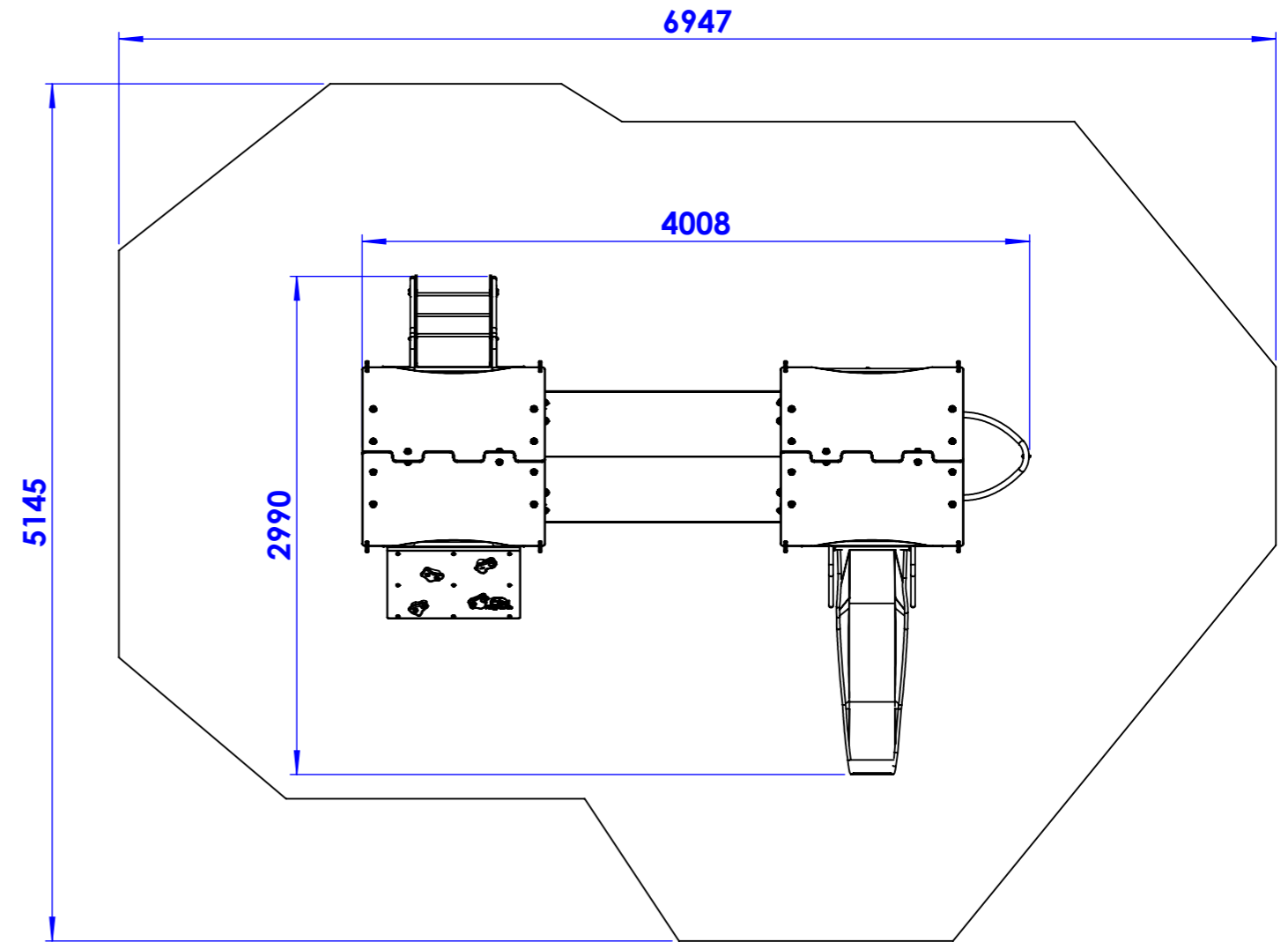


INSTALLER: MUST READ THOUGH ALL INSTALLATION DOCUMENTATION/INSTRUCTIONS PROVIDED

Item	Type	Min Qty.
Wetpour (m ²)	FFH 0.6 m	27.93
Unit Fix (m ³)	1:2:4 Concrete	0.50
Surfacing Base (m ³)	MOT Type 1	2.65
Length of Edging (m)	Perimeter	20.41

ESTIMATED QUANTITIES ONLY



Current Drawing Status
Manufacturing Manual

This drawing must not be copied or passed on to a third party without the specific permission of G.L. Jones Playgrounds Ltd.

This drawing is supplied on the understanding that the installer has the required skill to ensure correct installation - G.L. Jones, Ltd. can only guarantee installations completed under their direct supervision



Design
Manufacture
Installation

GL Jones Playground Ltd
Station Road, Bethesda
Gwynedd LL57 3NE
Tel: 01248 600372
Fax: 01248 602085

www.gljones-playgrounds.co.uk
info@gljones-playgrounds.co.uk

This drawing is for guidance only and has been produced with the BS EN1176 & BS EN 1177 standards in mind.

The installer will need to ensure compliance with their country's standards before using this drawing.

	NAME	DATE
LASTSAVE	nathan.williams	14/03/2024
DRAWN	N.Williams	26/08/2022

DO NOT SCALE DRAWING | REVISION | 00

TITLE: Llanberis Toddler Unit

DWG NO. H082-001

A3
©

Website View